

THE COPYRIGHT IN THESE DRAWINGS AND PLANS REMAINS VESTED IN SMART ENERGY SYSTEMS. THE DESIGNS AND PLANS MAY NOT BE USED WHOLLY OR IN PART WITHOUT THE WRITTEN PERMISSION OF SMART ENERGY SYSTEMS

## SYSTEM SPECIFICATIONS

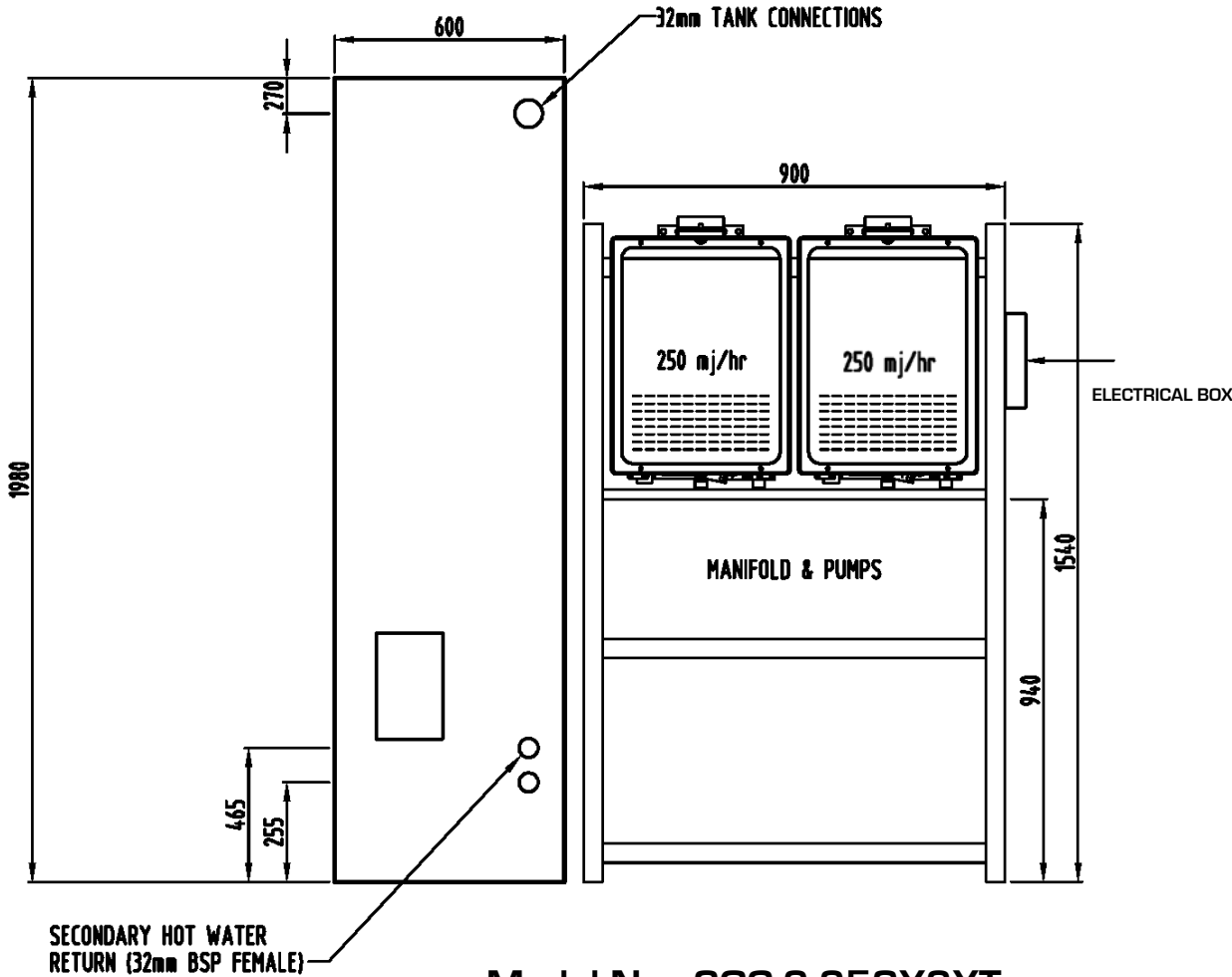
TOTAL mj/hr RATING 1000 mj/hr

HOT & COLD PLUMBING EACH TANK

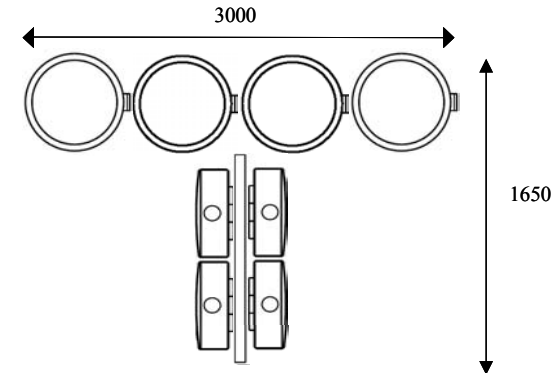
32mm CONNECTIONS AS STANDARD

SYSTEM PRODUCES AT 65°C  
5210 LITRES FIRST HOUR PEAK

ELECTRICAL CONNECTION FOR WIRING PROVIDED WITH PLANT  
ELECTRICAL BOX INC ISOLATION SWITCH 240V 50hz NOMINAL  
576 watts



Model No. SGC-2-250X2XT



**SMART ENERGY SYSTEMS**

COMMERCIAL HOT WATER SYSTEMS

HEAD OFFICE  
47 Johnston Street  
SOUTHPORT QLD 4215

Ph: 1300 303 486  
Fax: (07) 5571 0881  
sales@smartenergysystems.com.au  
www.smartenergysystems.com.au

DRAWING

Model No. SGC-2-250X2XT

FILE	DRAWN	SCALE
SGC-3-250	R.T.W.	N.T.S.