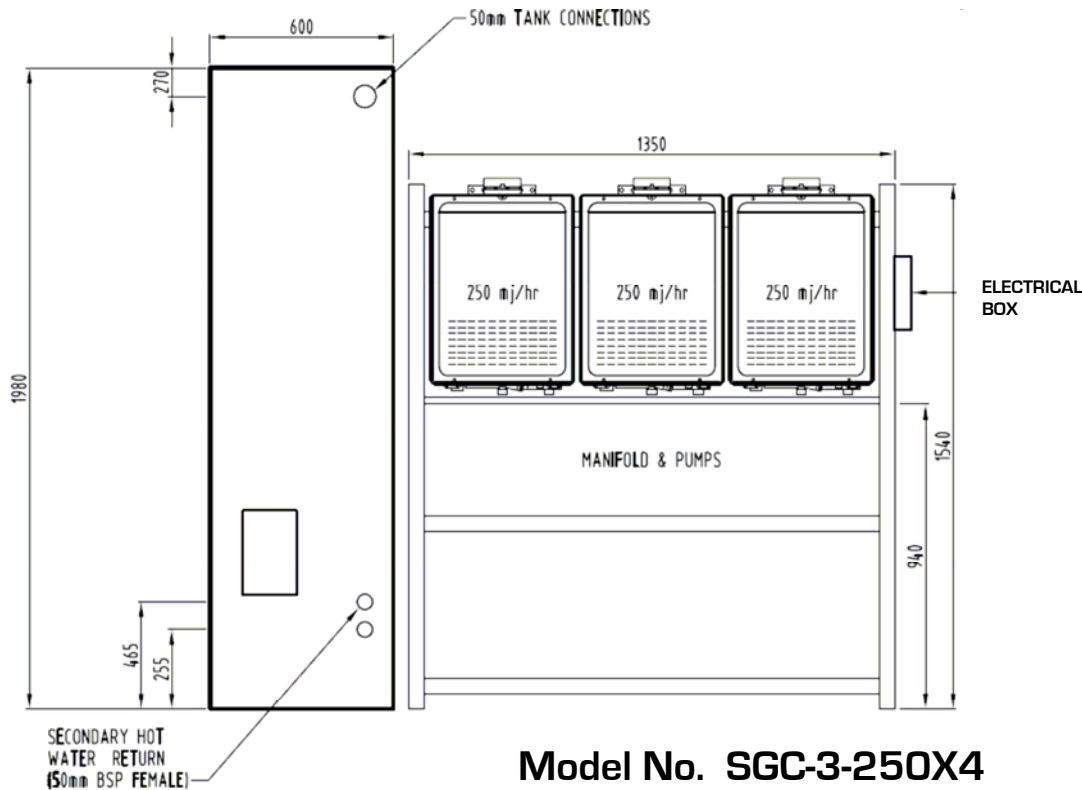
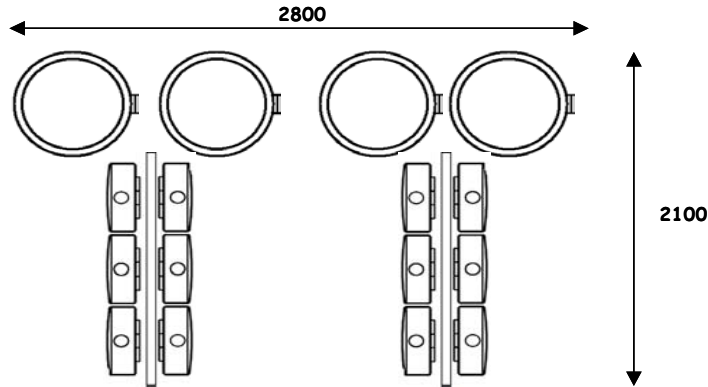


THE COPYRIGHT IN THESE DRAWINGS AND PLANS REMAINS VESTED IN SMART ENERGY SYSTEMS. THE DESIGNS AND PLANS MAY NOT BE USED WHOLLY OR IN PART WITHOUT THE WRITTEN PERMISSION OF SMART ENERGY SYSTEMS



Model No. SGC-3-250X4

SYSTEM SPECIFICATIONS

TOTAL mj/hr RATING 3000 mj/hr

HOT & COLD PLUMBING EACH TANK
50mm CONNECTIONS AS STANDARD

SYSTEM PRODUCES AT 65°C
13178 LITRES FIRST HOUR PEAK

ELECTRICAL CONECTION FOR WIRING PROVIDED WITH PLANT
ELECTRICAL BOX INC ISOLATION SWITCH 240V 50hz NOMINAL 1728 watts

SMART ENERGY SYSTEMS

COMMERCIAL HOT WATER SYSTEMS

HEAD OFFICE
47 Johnston Street
SOUTHPORT QLD 4215

Ph: 1300 303 486
Fax: (07) 5571 0881
sales@smartenergysystems.com.au
www.smartenergysystems.com.au

DRAWING

Model No. SGC-3-250X4

FILE	SGC-3-250	DRAWN	R.T.W.	SCALE	N.T.S.
------	-----------	-------	--------	-------	--------