

# Model No. SGC-4-250X2XT

THE COPYRIGHT IN THESE DRAWINGS AND PLANS REMAINS VESTED IN SMART ENERGY SYSTEMS. THE DESIGNS AND PLANS MAY NOT BE USED WHOLLY OR IN PART WITHOUT THE WRITTEN PERMISSION OF SMART ENERGY SYSTEMS

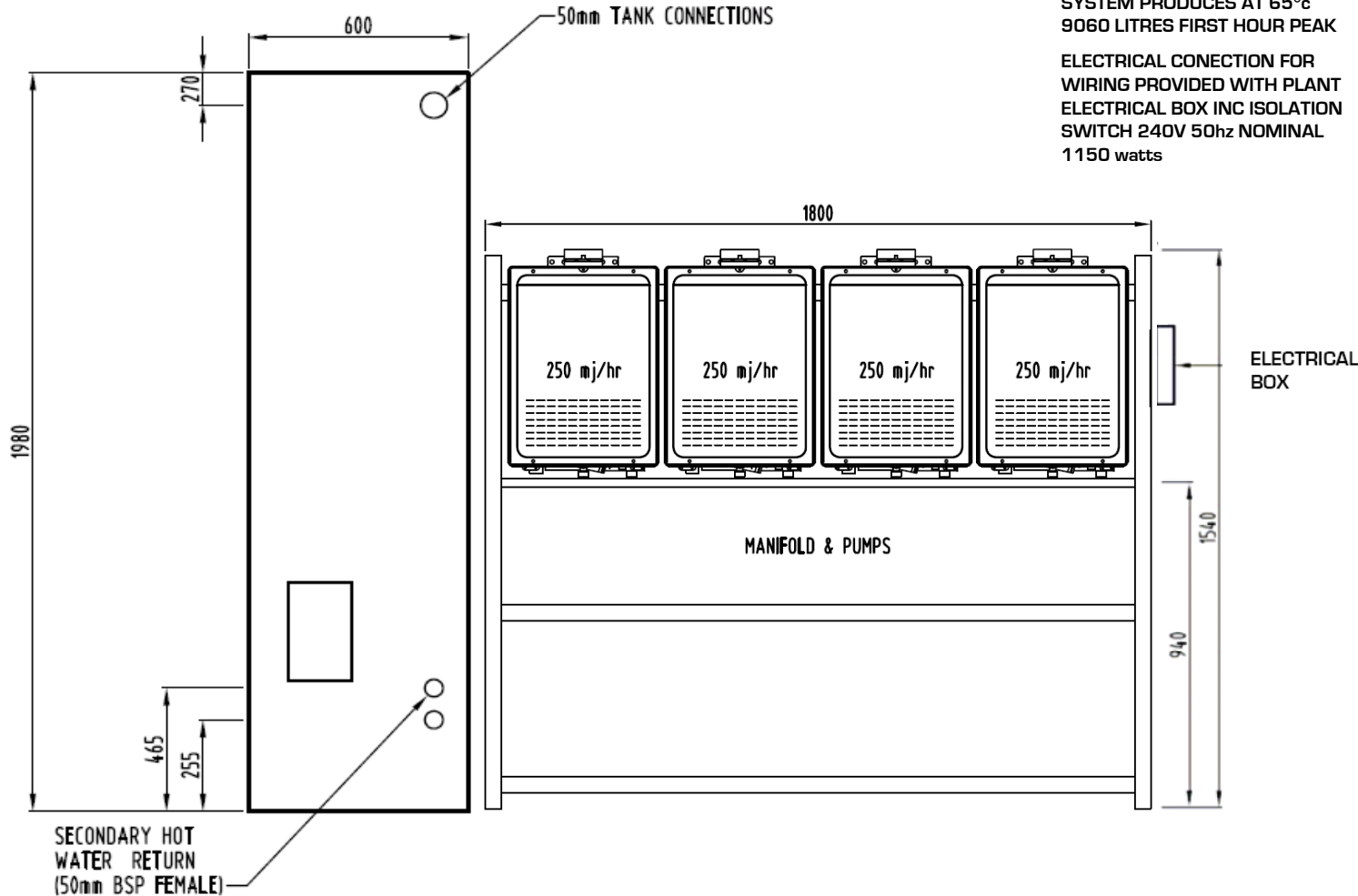
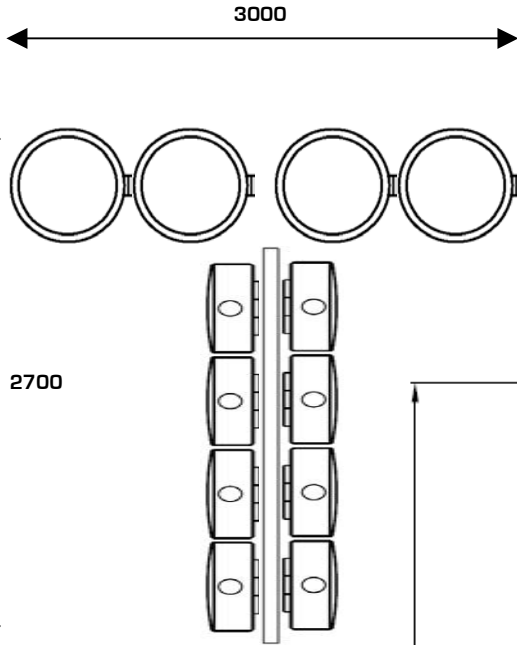
## SYSTEM SPECIFICATIONS

TOTAL Mj/hr RATING 2000 Mj/hr

HOT & COLD PLUMBING EACH TANK  
50mm CONNECTIONS AS STANDARD

SYSTEM PRODUCES AT 65°C  
9060 LITRES FIRST HOUR PEAK

ELECTRICAL CONECTION FOR WIRING PROVIDED WITH PLANT  
ELECTRICAL BOX INC ISOLATION SWITCH 240V 50hz NOMINAL  
1150 watts



**SMART ENERGY SYSTEMS**  
COMMERCIAL HOT WATER SYSTEMS  
HEAD OFFICE  
47 Johnston Street  
SOUTHPORT QLD 4215  
Ph: 1300 303 486  
Fax: (07) 5571 0881  
sales@smartenergysystems.com.au  
www.smartenergysystems.com.au

Model No. SGC-4-250X2XT