

Model No. SGCM-4-250

THE COPYRIGHT IN THESE DRAWINGS AND PLANS REMAINS VESTED IN SMART ENERGY SYSTEMS. THE DESIGNS AND PLANS MAY NOT BE USED WHOLLY OR IN PART WITHOUT THE WRITTEN PERMISSION OF SMART ENERGY SYSTEMS

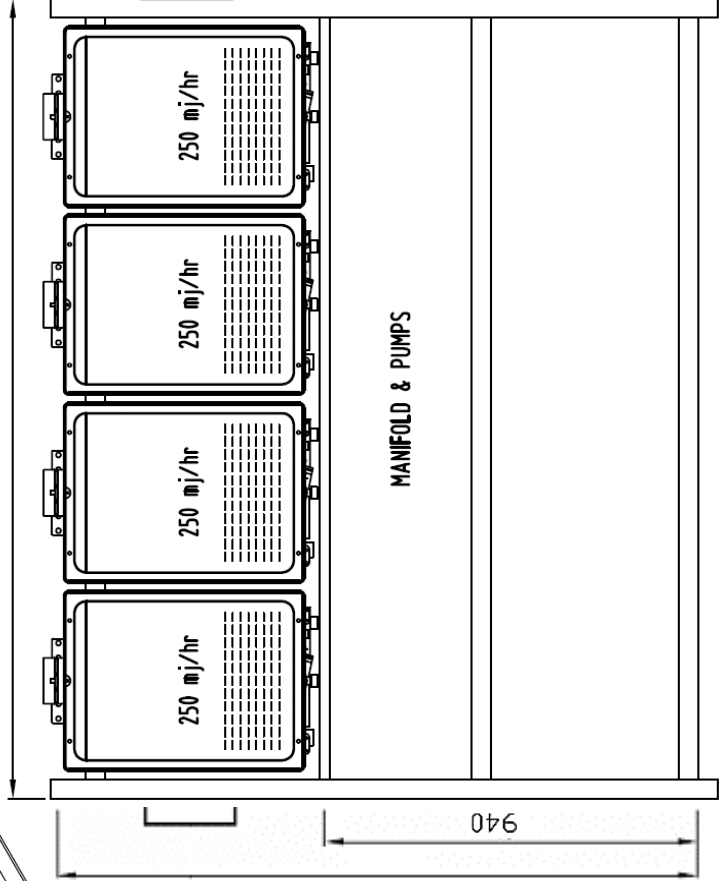
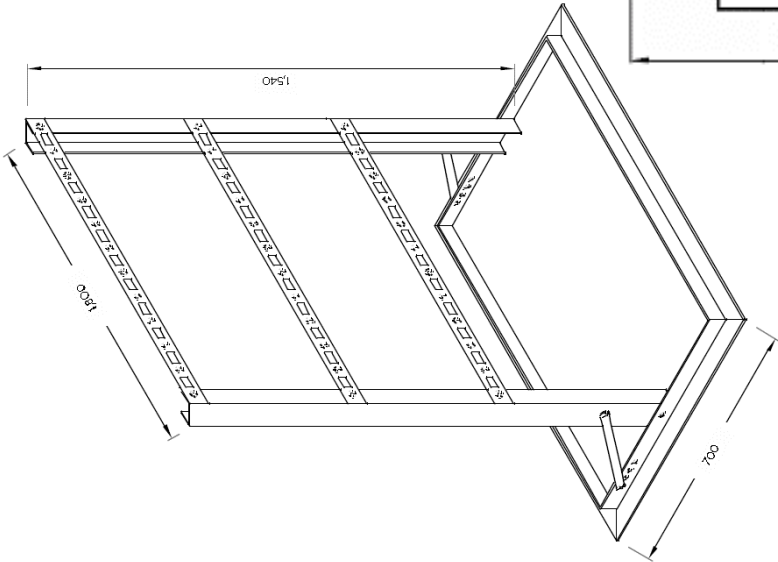
SYSTEM SPECIFICATIONS

WALL MOUNTED MANIFOLD OF 4 X 250KM COMMERCIAL BOSCH HEATERS

TOTAL mj/hr RATING 1000 mj/hr

SYSTEM PRODUCES AT 50°C TEMP RISE 63 LITRES PER MINUTE OR 126 LITRES AT 25°C

ELECTRICAL CONECTION FOR WIRING PROVIDED WITH PLANT ELECTRICAL BOX INC ISOLATION SWITCH 240V 50hz NOMINAL 300 watts



COMMERCIAL HOT WATER SYSTEMS
 HEAD OFFICE
 47 Johnston Street
 SOUTHPORT QLD 4215
 Ph: 1300 303 486
 Fax: (07) 5571 0881
 sales@smartenergysystems.com.au
 www.smartenergysystems.com.au

Model No. SGCM-4-250